

Adjustable Tension Levers

Steel, with Internal Thread / with External Thread

SPECIFICATION

Types

- Type **E**: Angled lever
- Type **D**: Straight lever

Hub / Shaft

Steel, blackened

Insert

Steel, blackened

Property class 5.8 (external thread)

Ball knobs DIN 319

Plastic, phenolic resin (PF)

Black, shiny finish

Safety circlip

Plastic, Polyacetal (POM)



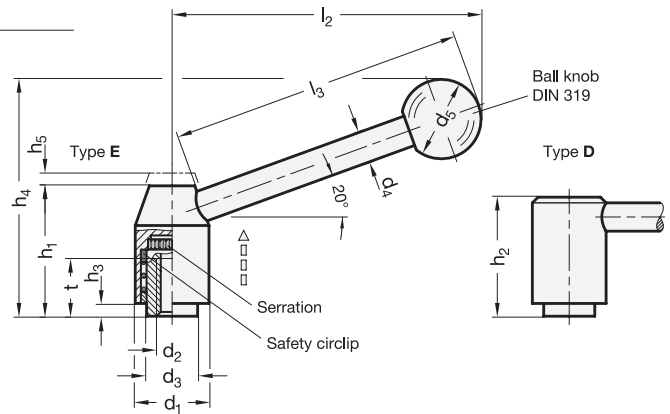
INFORMATION

Adjustable tension levers GN 212.3 have proved to be ideal whenever parts have to be clamped in a confined space or a particular lever position is required. The threaded insert is connected with the hub via serrations which can be disengaged.

Pulling the lever, disengages the serrations and allowing it to be swivelled to the ideal clamping position. On releasing the lever it will automatically re-engage.

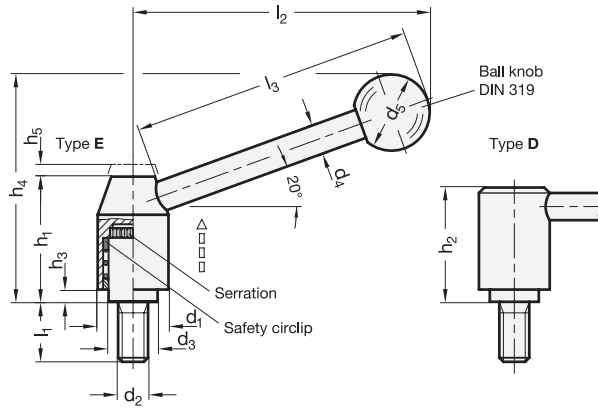
TECHNICAL INFORMATION

- Strength Values of Screws (see page A20)
- Plastic Characteristics (see page A2)



GN 212.3 with Internal Thread

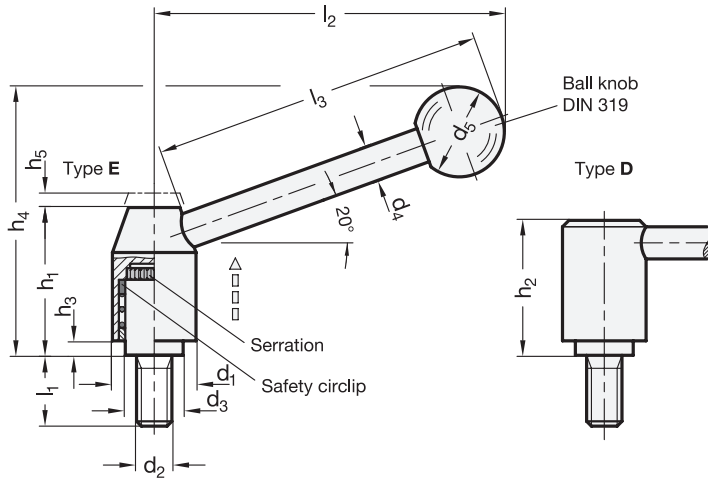
Description	d1	d2	d3	d4	d5	h1	h2	h3	h4≈	h5 Stroke	l2 ≈	l3 ≈	t min.	⚖
GN 212.3-21-M6-E	21	M 6	13.5	8	20	33.5	-	1	59	4	75	70	11	96
GN 212.3-21-M8-E	21	M 8	13.5	8	20	33.5	-	1	59	4	75	70	11	95
GN 212.3-24-M8-E	24	M 8	16	10	25	40	-	2.5	75	4.5	101	96	14	159
GN 212.3-24-M10-E	24	M 10	16	10	25	40	-	2.5	75	4.5	101	96	14	150
GN 212.3-28-M10-E	28	M 10	19	12	30	48.5	-	4.5	89	4.5	116	110	17	245
GN 212.3-28-M12-E	28	M 12	19	12	30	48.5	-	4.5	89	4.5	116	110	17	250
GN 212.3-33-M12-E	33	M 12	23	12	32	55	-	6	100.5	5.5	131.5	124	22	360
GN 212.3-33-M14-E	33	M 14	23	12	32	55	-	6	100.5	5.5	131.5	124	22	381
GN 212.3-33-M16-E	33	M 16	23	12	32	55	-	6	100.5	5.5	131.5	124	22	350
GN 212.3-40-M16-E	40	M 16	28	14	35	68	-	6	118	5.5	148	138	36	600
GN 212.3-40-M20-E	40	M 20	28	14	35	68	-	6	118	5.5	148	138	36	600
GN 212.3-21-M6-D	21	M 6	13.5	8	20	-	31	1	36	4	80.5	70	11	96
GN 212.3-21-M8-D	21	M 8	13.5	8	20	-	31	1	36	4	80.5	70	11	93
GN 212.3-24-M8-D	24	M 8	16	10	25	-	37	2.5	43.5	4.5	108	96	14	161
GN 212.3-24-M10-D	24	M 10	16	10	25	-	37	2.5	43.5	4.5	108	96	14	157
GN 212.3-28-M10-D	28	M 10	19	12	30	-	44.5	4.5	52.5	4.5	124	110	17	240
GN 212.3-28-M12-D	28	M 12	19	12	30	-	44.5	4.5	52.5	4.5	124	110	17	258
GN 212.3-33-M12-D	33	M 12	23	12	32	-	51.5	6	60	5.5	140.5	124	22	381
GN 212.3-33-M14-D	33	M 14	23	12	32	-	51.5	6	60	5.5	140.5	124	22	373
GN 212.3-33-M16-D	33	M 16	23	12	32	-	51.5	6	60	5.5	140.5	124	22	364
GN 212.3-40-M16-D	40	M 16	28	14	35	-	64	6	71.5	5.5	158	138	36	638
GN 212.3-40-M20-D	40	M 20	28	14	35	-	64	6	71.5	5.5	158	138	36	608



GN 212.3 with External Thread

Description	d1	d2	l1	d3	d4	d5	h1	h2	h3	h4≈	h5 Stroke	l2 ≈	l3 ≈	△
GN 212.3-21-M8-12-E	21	M 8	12	13.5	8	20	33.5	-	1	59	4	75	70	100
GN 212.3-21-M8-16-E	21	M 8	16	13.5	8	20	33.5	-	1	59	4	75	70	104
GN 212.3-21-M8-20-E	21	M 8	20	13.5	8	20	33.5	-	1	59	4	75	70	105
GN 212.3-21-M8-25-E	21	M 8	25	13.5	8	20	33.5	-	1	59	4	75	70	104
GN 212.3-21-M8-32-E	21	M 8	32	13.5	8	20	33.5	-	1	59	4	75	70	109
GN 212.3-21-M8-40-E	21	M 8	40	13.5	8	20	33.5	-	1	59	4	75	70	112
GN 212.3-21-M8-50-E	21	M 8	50	13.5	8	20	33.5	-	1	59	4	75	70	114
GN 212.3-21-M8-63-E	21	M 8	63	13.5	8	20	33.5	-	1	59	4	75	70	119
GN 212.3-21-M10-20-E	21	M 10	20	13.5	8	20	33.5	-	1	59	4	75	70	108
GN 212.3-21-M10-25-E	21	M 10	25	13.5	8	20	33.5	-	1	59	4	75	70	111
GN 212.3-21-M10-32-E	21	M 10	32	13.5	8	20	33.5	-	1	59	4	75	70	115
GN 212.3-21-M10-40-E	21	M 10	40	13.5	8	20	33.5	-	1	59	4	75	70	117
GN 212.3-21-M10-50-E	21	M 10	50	13.5	8	20	33.5	-	1	59	4	75	70	122
GN 212.3-21-M10-63-E	21	M 10	63	13.5	8	20	33.5	-	1	59	4	75	70	129
GN 212.3-21-M10-80-E	21	M 10	80	13.5	8	20	33.5	-	1	59	4	75	70	140
GN 212.3-24-M10-16-E	24	M 10	16	16	10	25	40	-	2.5	75	4.5	101	96	172
GN 212.3-24-M10-20-E	24	M 10	20	16	10	25	40	-	2.5	75	4.5	101	96	170
GN 212.3-24-M10-25-E	24	M 10	25	16	10	25	40	-	2.5	75	4.5	101	96	175
GN 212.3-24-M10-32-E	24	M 10	32	16	10	25	40	-	2.5	75	4.5	101	96	178
GN 212.3-24-M10-40-E	24	M 10	40	16	10	25	40	-	2.5	75	4.5	101	96	182
GN 212.3-24-M10-50-E	24	M 10	50	16	10	25	40	-	2.5	75	4.5	101	96	188
GN 212.3-24-M10-63-E	24	M 10	63	16	10	25	40	-	2.5	75	4.5	101	96	195
GN 212.3-24-M10-80-E	24	M 10	80	16	10	25	40	-	2.5	75	4.5	101	96	202
GN 212.3-24-M12-25-E	24	M 12	25	16	10	25	40	-	2.5	75	4.5	101	96	185
GN 212.3-24-M12-32-E	24	M 12	32	16	10	25	40	-	2.5	75	4.5	101	96	184
GN 212.3-24-M12-40-E	24	M 12	40	16	10	25	40	-	2.5	75	4.5	101	96	192
GN 212.3-24-M12-50-E	24	M 12	50	16	10	25	40	-	2.5	75	4.5	101	96	199
GN 212.3-24-M12-63-E	24	M 12	63	16	10	25	40	-	2.5	75	4.5	101	96	207
GN 212.3-24-M12-80-E	24	M 12	80	16	10	25	40	-	2.5	75	4.5	101	96	219
GN 212.3-28-M10-16-E	28	M 10	16	19	12	30	48.5	-	4.5	89	4.5	116	110	280
GN 212.3-28-M10-20-E	28	M 10	20	19	12	30	48.5	-	4.5	89	4.5	116	110	283
GN 212.3-28-M10-25-E	28	M 10	25	19	12	30	48.5	-	4.5	89	4.5	116	110	240
GN 212.3-28-M10-32-E	28	M 10	32	19	12	30	48.5	-	4.5	89	4.5	116	110	290
GN 212.3-28-M10-40-E	28	M 10	40	19	12	30	48.5	-	4.5	89	4.5	116	110	298
GN 212.3-28-M10-50-E	28	M 10	50	19	12	30	48.5	-	4.5	89	4.5	116	110	312
GN 212.3-28-M10-63-E	28	M 10	63	19	12	30	48.5	-	4.5	89	4.5	116	110	309
GN 212.3-28-M12-16-E	28	M 12	16	19	12	30	48.5	-	4.5	89	4.5	116	110	289
GN 212.3-28-M12-20-E	28	M 12	20	19	12	30	48.5	-	4.5	89	4.5	116	110	290
GN 212.3-28-M12-25-E	28	M 12	25	19	12	30	48.5	-	4.5	89	4.5	116	110	290
GN 212.3-28-M12-32-E	28	M 12	32	19	12	30	48.5	-	4.5	89	4.5	116	110	300
GN 212.3-28-M12-40-E	28	M 12	40	19	12	30	48.5	-	4.5	89	4.5	116	110	305
GN 212.3-28-M12-50-E	28	M 12	50	19	12	30	48.5	-	4.5	89	4.5	116	110	312
GN 212.3-28-M12-63-E	28	M 12	63	19	12	30	48.5	-	4.5	89	4.5	116	110	300
GN 212.3-28-M12-80-E	28	M 12	80	19	12	30	48.5	-	4.5	89	4.5	116	110	333
GN 212.3-33-M12-25-E	33	M 12	25	23	12	32	55	-	6	100.5	5.5	131.5	124	428
GN 212.3-33-M12-32-E	33	M 12	32	23	12	32	55	-	6	100.5	5.5	131.5	124	433
GN 212.3-33-M12-40-E	33	M 12	40	23	12	32	55	-	6	100.5	5.5	131.5	124	420
GN 212.3-33-M12-50-E	33	M 12	50	23	12	32	55	-	6	100.5	5.5	131.5	124	420
GN 212.3-33-M12-63-E	33	M 12	63	23	12	32	55	-	6	100.5	5.5	131.5	124	390
GN 212.3-33-M16-32-E	33	M 16	32	23	12	32	55	-	6	100.5	5.5	131.5	124	420

Description	d1	d2	l1	d3	d4	d5	h1	h2	h3	h4≈	h5 Stroke	l2 ≈	l3 ≈	△
GN 212.3-33-M16-40-E	33	M 16	40	23	12	32	55	-	6	100.5	5.5	131.5	124	440
GN 212.3-33-M16-50-E	33	M 16	50	23	12	32	55	-	6	100.5	5.5	131.5	124	471
GN 212.3-33-M16-63-E	33	M 16	63	23	12	32	55	-	6	100.5	5.5	131.5	124	460
GN 212.3-33-M16-80-E	33	M 16	80	23	12	32	55	-	6	100.5	5.5	131.5	124	500
GN 212.3-40-M16-40-E	40	M 16	40	28	14	35	68	-	6	118	5.5	148	138	700
GN 212.3-40-M16-50-E	40	M 16	50	28	14	35	68	-	6	118	5.5	148	138	740
GN 212.3-40-M16-63-E	40	M 16	63	28	14	35	68	-	6	118	5.5	148	138	760
GN 212.3-40-M16-80-E	40	M 16	80	28	14	35	68	-	6	118	5.5	148	138	793
GN 212.3-40-M20-40-E	40	M 20	40	28	14	35	68	-	6	118	5.5	148	138	773
GN 212.3-40-M20-50-E	40	M 20	50	28	14	35	68	-	6	118	5.5	148	138	793
GN 212.3-40-M20-63-E	40	M 20	63	28	14	35	68	-	6	118	5.5	148	138	820
GN 212.3-40-M20-80-E	40	M 20	80	28	14	35	68	-	6	118	5.5	148	138	852
GN 212.3-21-M8-12-D	21	M 8	12	13.5	8	20	-	31	1	36	4	80.5	70	103
GN 212.3-21-M8-16-D	21	M 8	16	13.5	8	20	-	31	1	36	4	80.5	70	104
GN 212.3-21-M8-20-D	21	M 8	20	13.5	8	20	-	31	1	36	4	80.5	70	105
GN 212.3-21-M8-25-D	21	M 8	25	13.5	8	20	-	31	1	36	4	80.5	70	107
GN 212.3-21-M8-32-D	21	M 8	32	13.5	8	20	-	31	1	36	4	80.5	70	109
GN 212.3-21-M8-40-D	21	M 8	40	13.5	8	20	-	31	1	36	4	80.5	70	112
GN 212.3-21-M8-50-D	21	M 8	50	13.5	8	20	-	31	1	36	4	80.5	70	114
GN 212.3-21-M8-63-D	21	M 8	63	13.5	8	20	-	31	1	36	4	80.5	70	119
GN 212.3-21-M10-20-D	21	M 10	20	13.5	8	20	-	31	1	36	4	80.5	70	108
GN 212.3-21-M10-25-D	21	M 10	25	13.5	8	20	-	31	1	36	4	80.5	70	111
GN 212.3-21-M10-32-D	21	M 10	32	13.5	8	20	-	31	1	36	4	80.5	70	115
GN 212.3-21-M10-40-D	21	M 10	40	13.5	8	20	-	31	1	36	4	80.5	70	117
GN 212.3-21-M10-50-D	21	M 10	50	13.5	8	20	-	31	1	36	4	80.5	70	122
GN 212.3-21-M10-63-D	21	M 10	63	13.5	8	20	-	31	1	36	4	80.5	70	126
GN 212.3-21-M10-80-D	21	M 10	80	13.5	8	20	-	31	1	36	4	80.5	70	136
GN 212.3-24-M10-16-D	24	M 10	16	16	10	25	-	37	2.5	43.5	4.5	108	96	174
GN 212.3-24-M10-20-D	24	M 10	20	16	10	25	-	37	2.5	43.5	4.5	108	96	175
GN 212.3-24-M10-25-D	24	M 10	25	16	10	25	-	37	2.5	43.5	4.5	108	96	177
GN 212.3-24-M10-32-D	24	M 10	32	16	10	25	-	37	2.5	43.5	4.5	108	96	180
GN 212.3-24-M10-40-D	24	M 10	40	16	10	25	-	37	2.5	43.5	4.5	108	96	184
GN 212.3-24-M10-50-D	24	M 10	50	16	10	25	-	37	2.5	43.5	4.5	108	96	190
GN 212.3-24-M10-63-D	24	M 10	63	16	10	25	-	37	2.5	43.5	4.5	108	96	197
GN 212.3-24-M10-80-D	24	M 10	80	16	10	25	-	37	2.5	43.5	4.5	108	96	203
GN 212.3-24-M12-25-D	24	M 12	25	16	10	25	-	37	2.5	43.5	4.5	108	96	184
GN 212.3-24-M12-32-D	24	M 12	32	16	10	25	-	37	2.5	43.5	4.5	108	96	188
GN 212.3-24-M12-40-D	24	M 12	40	16	10	25	-	37	2.5	43.5	4.5	108	96	194
GN 212.3-24-M12-50-D	24	M 12	50	16	10	25	-	37	2.5	43.5	4.5	108	96	201
GN 212.3-24-M12-63-D	24	M 12	63	16	10	25	-	37	2.5	43.5	4.5	108	96	209
GN 212.3-24-M12-80-D	24	M 12	80	16	10	25	-	37	2.5	43.5	4.5	108	96	217



GN 212.3 with External Thread

Description	d1	d2	l1	d3	d4	d5	h1	h2	h3	h4 ≈	h5 Stroke	l2 ≈	l3 ≈	⚖
GN 212.3-28-M12-32-D	28	M 12	32	19	12	30	-	44.5	4.5	52.5	4.5	124	110	297
GN 212.3-28-M12-40-D	28	M 12	40	19	12	30	-	44.5	4.5	52.5	4.5	124	110	302
GN 212.3-28-M12-50-D	28	M 12	50	19	12	30	-	44.5	4.5	52.5	4.5	124	110	309
GN 212.3-28-M12-63-D	28	M 12	63	19	12	30	-	44.5	4.5	52.5	4.5	124	110	319
GN 212.3-28-M12-80-D	28	M 12	80	19	12	30	-	44.5	4.5	52.5	4.5	124	110	330
GN 212.3-33-M12-25-D	33	M 12	25	23	12	32	-	51.5	6	60	5.5	140.5	124	428
GN 212.3-33-M12-32-D	33	M 12	32	23	12	32	-	51.5	6	60	5.5	140.5	124	425
GN 212.3-33-M12-40-D	33	M 12	40	23	12	32	-	51.5	6	60	5.5	140.5	124	431
GN 212.3-33-M12-50-D	33	M 12	50	23	12	32	-	51.5	6	60	5.5	140.5	124	438
GN 212.3-33-M12-63-D	33	M 12	63	23	12	32	-	51.5	6	60	5.5	140.5	124	446
GN 212.3-33-M16-32-D	33	M 16	32	23	12	32	-	51.5	6	60	5.5	140.5	124	440
GN 212.3-33-M16-40-D	33	M 16	40	23	12	32	-	51.5	6	60	5.5	140.5	124	451
GN 212.3-33-M16-50-D	33	M 16	50	23	12	32	-	51.5	6	60	5.5	140.5	124	463
GN 212.3-33-M16-63-D	33	M 16	63	23	12	32	-	51.5	6	60	5.5	140.5	124	482
GN 212.3-33-M16-80-D	33	M 16	80	23	12	32	-	51.5	6	60	5.5	140.5	124	504
GN 212.3-40-M16-40-D	40	M 16	40	28	14	35	-	64	6	71.5	5.5	158	138	743
GN 212.3-40-M16-50-D	40	M 16	50	28	14	35	-	64	6	71.5	5.5	158	138	757
GN 212.3-40-M16-63-D	40	M 16	63	28	14	35	-	64	6	71.5	5.5	158	138	772
GN 212.3-40-M16-80-D	40	M 16	80	28	14	35	-	64	6	71.5	5.5	158	138	797
GN 212.3-40-M20-40-D	40	M 20	40	28	14	35	-	64	6	71.5	5.5	158	138	777
GN 212.3-40-M20-50-D	40	M 20	50	28	14	35	-	64	6	71.5	5.5	158	138	780
GN 212.3-40-M20-63-D	40	M 20	63	28	14	35	-	64	6	71.5	5.5	158	138	824
GN 212.3-40-M20-80-D	40	M 20	80	28	14	35	-	64	6	71.5	5.5	158	138	856

Clamping levers 3